

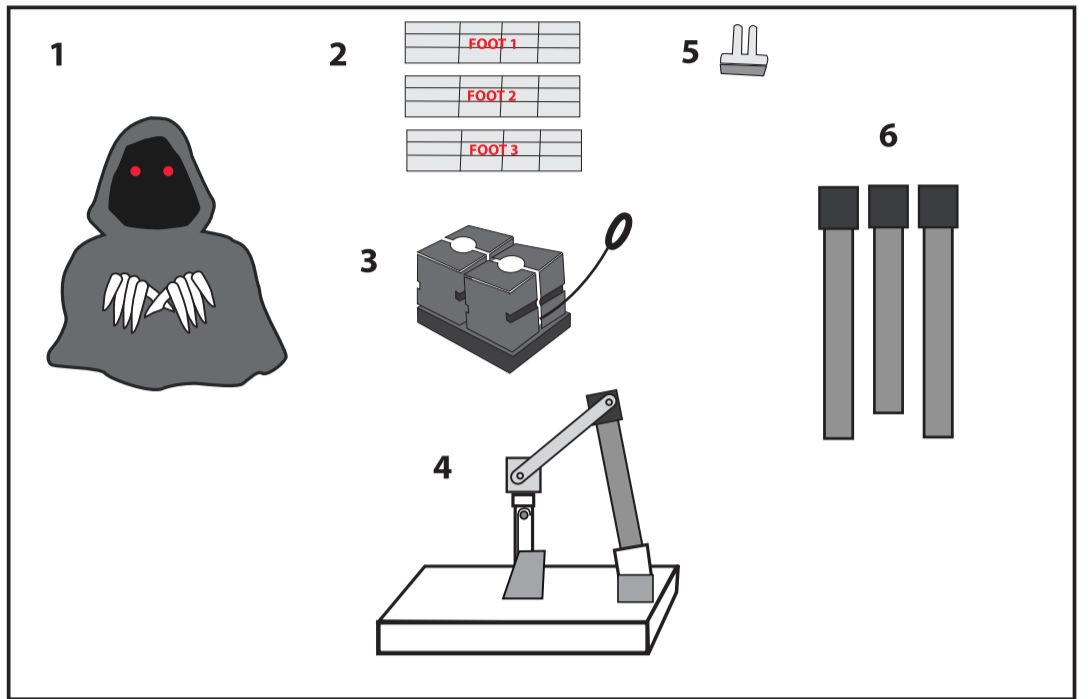
LURCHING REAPER

INSTALLATION AND OPERATING INSTRUCTIONS

KEEP ALL PLASTIC AND WIRE PARTS AWAY FROM CHILDREN

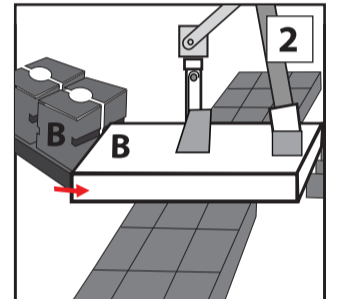
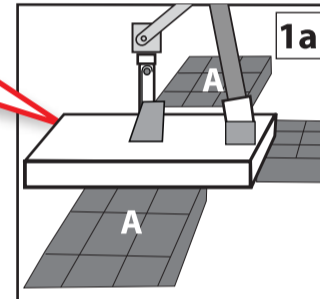
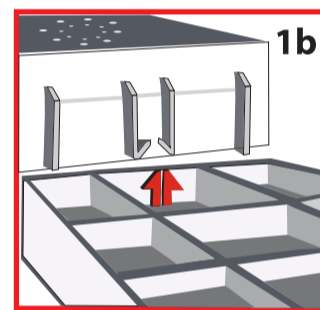
Setup Instructions: Lurching Reaper

1. HEAD, HANDS, CLOTHING
2. FEET - 3
3. WEIGHTED FOOT
4. BASE
5. KEY
6. SINGLE SUPPORT POLE - 3



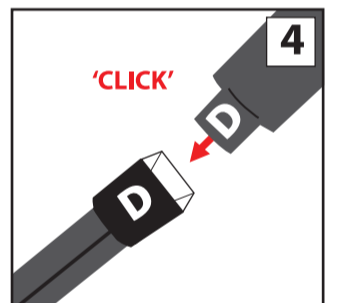
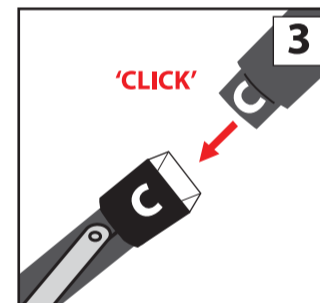
1. Insert 3 **FEET** labeled **A** into bottom of **BASE**. (Match **A** to **A**)
Snap to lock. (See illustration 1a & 1b)

Note: Press to make sure **FEET** are flush with **BASE** and snap lock into place. To remove **FOOT**, insert plastic **KEY** (included) into hole on bottom to release locks and pull.



2. Insert **WEIGHTED FOOT** onto back of **BASE**. (Match **B** to **B**)
Snap to lock.

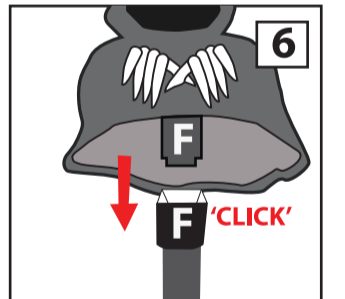
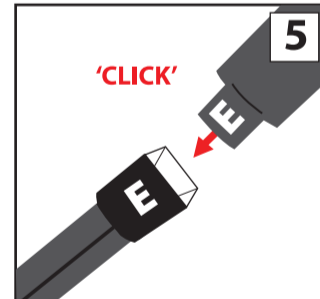
Note: Find a flat, stable area to place your Lurching Reaper.
(Make sure there are no obstructions to hinder the upper body movement)



3. Snap lock **SINGLE SUPPORT POLE** into **BASE**. (Match **C** to **C**)

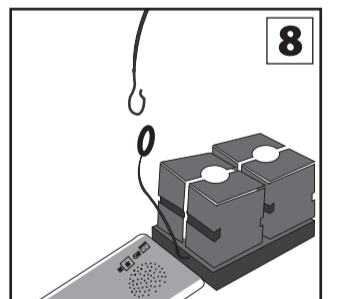
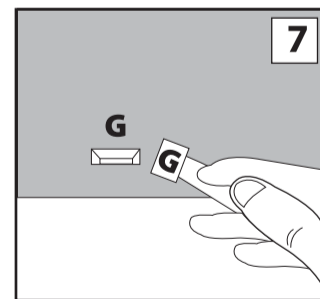
4. Snap lock **SINGLE SUPPORT POLE** into top of **SINGLE SUPPORT POLE**. (Match **D** to **D**)

5. Snap lock **SINGLE SUPPORT POLE** into top of **SINGLE SUPPORT POLE**. (Match **E** to **E**)



6. Snap lock **HEAD, HANDS, CLOTHING** into **SINGLE SUPPORT POLE** (Match **F** to **F**)

7. Insert wire labeled **G** (located inside fabric clothing) to jack labeled **G** on **BASE**.

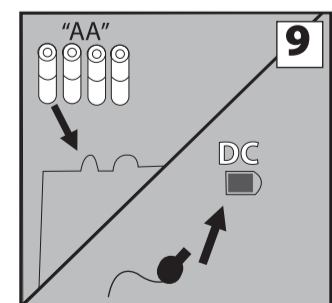


8. Hook metal wire (located inside the fabric clothing) to the plastic "O-ring" attached to **WEIGHTED FOOT** labeled **B**.

Note: Make sure wire is not tangled or wound around pole.

9. Insert 4 AA alkaline batteries into the battery compartment located on the **BASE**, or connect 6V 2A **DC ADAPTER** (sold separately).

Note: Place extra weight on **FEET** if needed for increased stability.



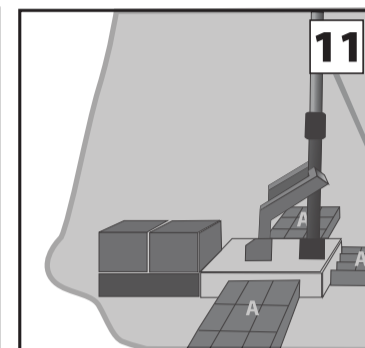
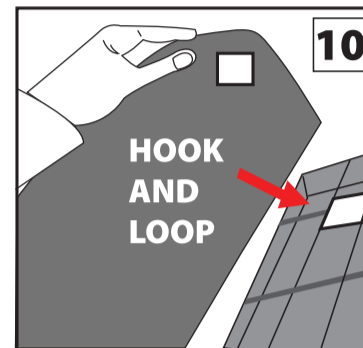
LURCHING REAPER

Setup Instructions: Lurching Reaper

CONTINUED

10. Attach hook and loop fasteners located under Lurching Reaper's cape to the opposite hook and loop fasteners located on all 4 **FEET**.
11. Spread out clothing over **FEET** and **BASE**, and straighten hood and cape to give a realistic appearance.

Note: Turn switch on top of **BASE** to ON to operate in Motion/Sound activation mode. Leave switch in OFF position when not in use.



If you hear a constant "clicking" sound and this item does not function properly, it means that there is an obstruction preventing the pole from lowering fully (for example: rock, bush, incline, etc.). The clicking sound does not mean that it is broken, just remove any obstruction and the item should function normally.

Outdoor Warnings: For best overall performance, we recommend you operate your item in a sheltered outdoor area. We also recommend you bring your item indoors during adverse weather (extreme cold, strong winds and/or rain). This item operates best outdoors in temperatures above freezing (32°F). Tekky Toys recommends using fresh alkaline batteries for best operating performance.

OPTIONAL FOOTPAD SETUP

Follow initial installation instruction first.

1. Connect wire from optional footpad to the jack labeled FOOTPAD located on the base.
2. Place the switch on the base into 'FOOTPAD' position to enable FOOTPAD activation.
3. Step on FOOTPAD to activate the scary sequence.

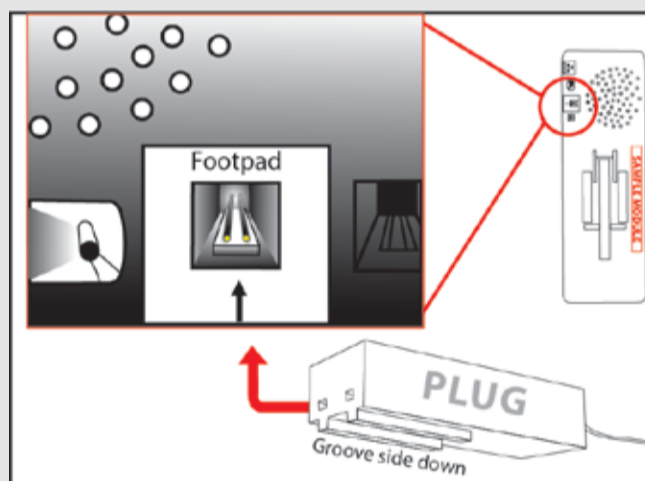
NOTE:

When plugging in, make sure pins line up properly with holes on plug. Align plug, groove side down, with the notch.

CAUTION!

Not aligning the plug to jack properly may cause permanent damage to footpad jack of your item. **DO NOT** use excessive force when inserting plug.

*Footpads are sold separately and can be purchased online at: www.tekkytoys.com



VISIT US: WWW.TEKKYTOYS.COM

Surface Washable Only.
ALL NEW MATERIALS: PLASTIC, POLYESTER,
POLYESTER FIBER

Battery Powered:
Requires 4 AA Alkaline Batteries
DC Adapter Ready 6V 2A (not included)
** Footpad and DC adapter sold separately and can
be purchased at: www.tekkytoys.com

Lurching Reaper is a trademark of Tekky Toys.
Copyright © 2012 Tekky Toys.
All Rights Reserved.
MADE IN CHINA

SMART PHONE SCAN SETUP VIDEO



****No weight should be placed onto item****

Warning! This item is not a toy. For decoration only. Small parts, choking hazard.
This product is intended for use by persons 15 years of age and older.
Not intended for use by children ages 14 years and younger.

WARNING
DO NOT TURN THIS ITEM ON UNTIL YOU HAVE COMPLETELY FINISHED ASSEMBLY.

Stay clear of item while operating.